



FP-003
FD Type Plate Filter Press

Purpose :

- Liquid/solids separation through pressure filtration

Applications :

- Stone Manufacture & Clay and Ceramic Industry.
- PC Board Industry & Electroplating Industry.
- Clarification of Solvents and Process Solutions.
- Reduction of Metal Finishing Waste.
- Oil Fields.
- Processing of Chemical Products.
- Food and Beverage Processing.
- Metal Finishing Waste.
- Leather Waste.

Features:

- › Mobile and integrated modular design
- › chemical additives/polymer needed
- › The pressed sludge cake is collected by conveyors and transported to the dedicated location/storage bins
- › Applicable to various sludge and processing applications cake by conveyor, safety and clean.

Characteristics

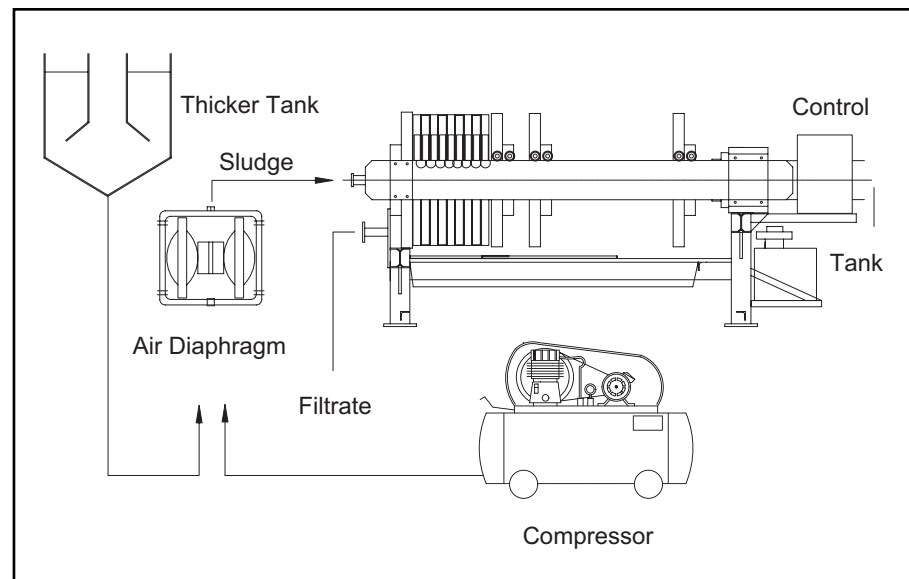
- › The main frame is constructed of carbon steel and all structural steel is sand blasted, primed and painted with corrosion resistant epoxy coating.
- › side bars of FD type model are made of medium carbon steel unity. The clearance can be self-adjusted according to the pressures, without the worries of stress concentration and cracks at the welding points.
- › Filter plate is made of high tension reinforced polypropylene and manufactured by CNC.
- › The oil pump with auto-compensate feature can adjust the oil hydraulic systems when pressure varied to maintain the standard pressure for full-enclose.
- › A second air compression system provides high pressure continuously to force the sludge layer inside the press chamber to accelerate moisture discharge and enhance dewatering efficiency.

FD Type Plate Filter Press

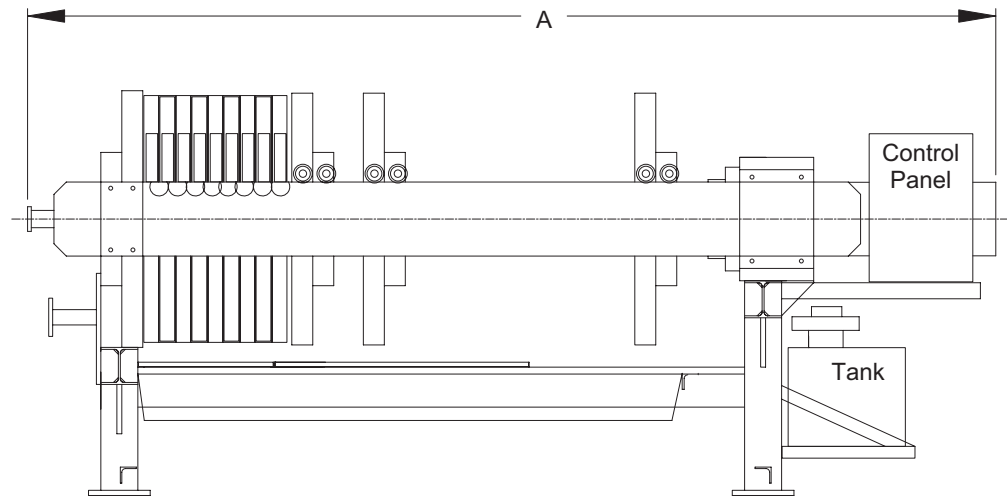
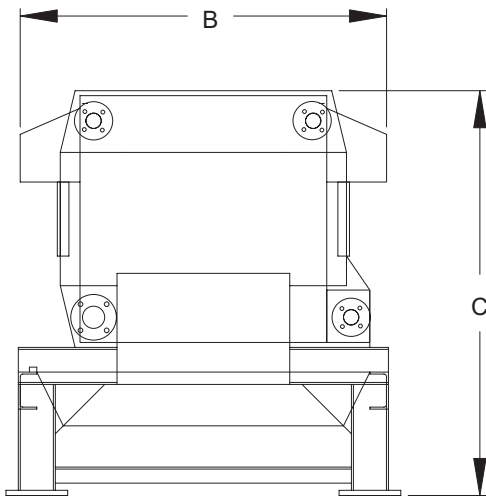
In the plate filter press, dewatering is accomplished by forcing the water from the sludge under high pressure. The sludge is pumped into the filter press chambers and the filtrate is pressed through the filter clothes as pumping pressure increases. The dewatered sludge is retained inside the press chambers and moved as the sludge cake after a press run.



Equipment Process



Equipment Drawings and Section Views



FD Type Plate Filter Press

Specifications

Model	Chamber (No)	Filter Area (m ²)	Filter Volume (L)	Power (HP)	Dimensions A×B×C (mm)
FD-100-10	10	15.0	250	Oil Pressure : 5	3970 × 1400 × 2020
FD-100-20	20	30.0	500		Convey : 2
FD-100-30	30	45.0	750	Compressors : 7.5	
FD-100-40	40	60.0	1000		6020 × 1400 × 2020
FD-100-50	50	75.0	1250		6570 × 1400 × 2020
FD-120-10	10	21.7	360	Oil Pressure : 5	4170 × 1600 × 2020
FD-120-20	20	43.4	720		Convey : 2
FD-120-30	30	65.1	1080	Compressors : 7.5	
FD-120-40	40	86.8	1440		6120 × 1600 × 2020
FD-120-50	50	108.5	1800		6770 × 1600 × 2020