

FP-005
HD Type Plate Filter Press

Purpose :

- Liquid/solids separation through pressure filtration

Applications :

- Stone/Clay/Ceramic Processing Industry
- PC Board Industry/Electroplating Industry
- Solvents and Process Solution Clarification
- Reduction of Metal Finishing Waste
- Oil Field Slurry
- Chemical Product Processing
- Food and Beverage Processing
- Metal Finishing Waste
- Tanning/Leather Processing

Features:

- › Mobile and integrated modular design.
- › No chemical additives/polymer needed.
- › The pressed sludge cake is collected by conveyors and transported to the dedicated location/storage bins.
- › Applicable to various sludge and processing applications.

Characteristics

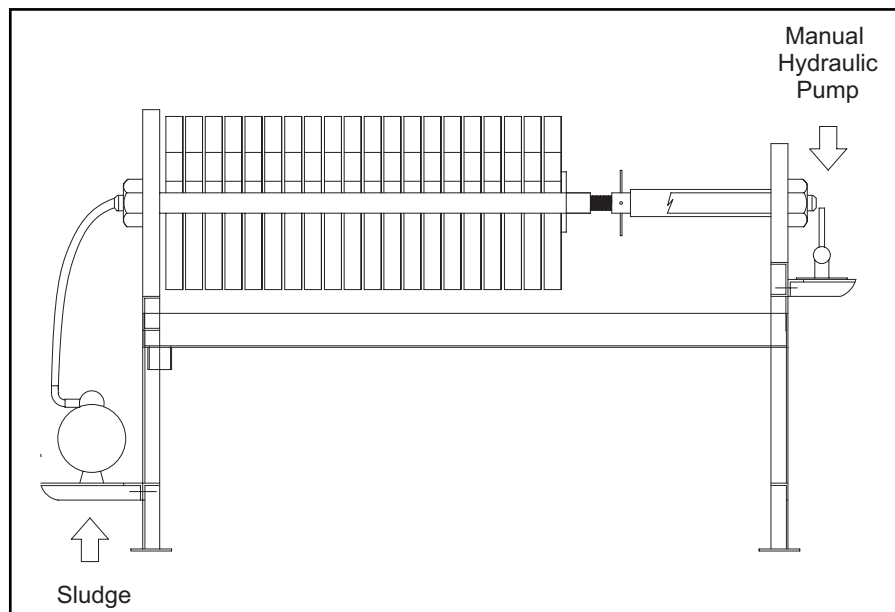
- › Pressurize the filter plate by manual hydraulic pump (Maximum: 10,000 psi).
- › Manual operation to open each filter plate chamber.
- › Durable rubber filter plates for light, medium, and high tension operations.
- › Simple structure and easy maintenance.
- › No electric power needed.
- › Cost-effective operation.

HD Type Plate Filter Press

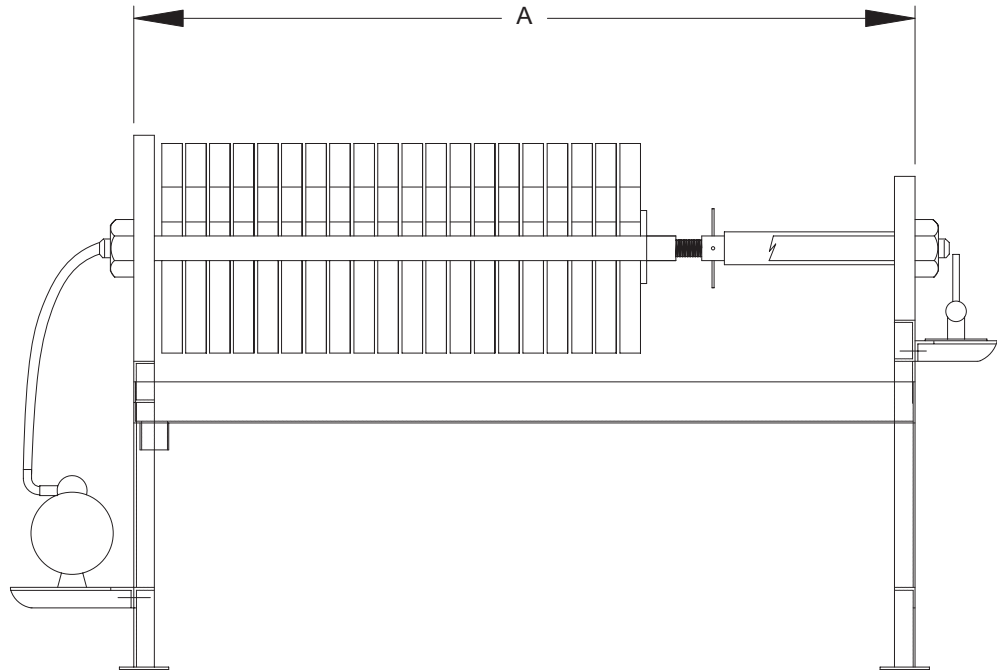
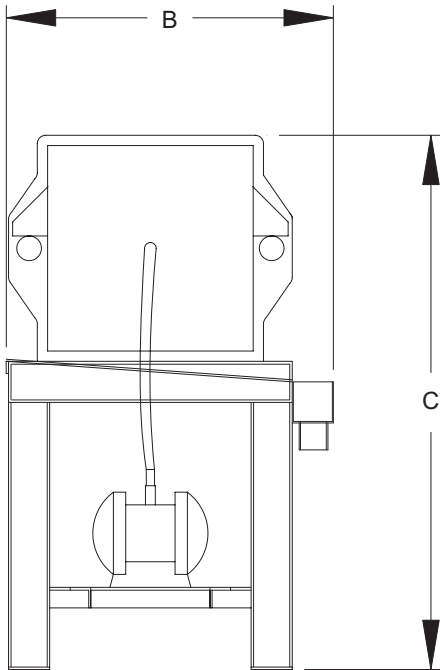
In the plate filter press, dewatering is accomplished by forcing the water from the sludge under high pressure. The sludge is pumped into the filter press chambers and the filtrate is pressed through the filter clothes as pumping pressure increases. The dewatered sludge is retained inside the press chambers and moved as the sludge cake after a press run.



Equipment Process



Equipment Drawings and Section Views



HD Type Plate Filter Press

Specifications

Model	Chamber (No.)	Filter Area (m ²)	Filter Volume. (L)	Power	Dimensions A×B×C (mm)
HD-50-10	10	4.7	63.4	Manual	1300 × 760 × 1000
HD-50-15	15	7.0	95.2		1600 × 760 × 1000
HD-50-20	20	9.4	126.9		1900 × 760 × 1000
HD-50-25	25	11.7	158.7		2200 × 760 × 1000
HD-50-30	30	14.0	190.4		2500 × 760 × 1000
HD-50-35	35	16.5	221.9	Hydraulic	2800 × 760 × 1000
HD-50-40	40	18.8	253.8		3100 × 760 × 1000
HD-50-45	45	21.2	285.5		3400 × 760 × 1000
HD-50-50	50	23.5	317.2		3700 × 760 × 1000
HD-50-55	55	25.9	348.7		4000 × 760 × 1000
HD-50-60	60	28.2	380.6	Pump	4300 × 760 × 1000
HD-50-65	65	30.6	412.3		4600 × 760 × 1000
HD-50-70	70	32.9	443.8		4900 × 760 × 1000