



RS-001 Auto Bar Screen (Chain Type)

Auto Bar Screen (Chain Type)

The chain type auto bar screen is set in the shallow channel with the installation angel of 60 degree approximately. Chain-driven reciprocating racks are used to remove the debris and solids intercepted by the bar screens.



Purposes

Remove coarse material in the water by screen interception to protect the pipes and pumps from tearing and wearing

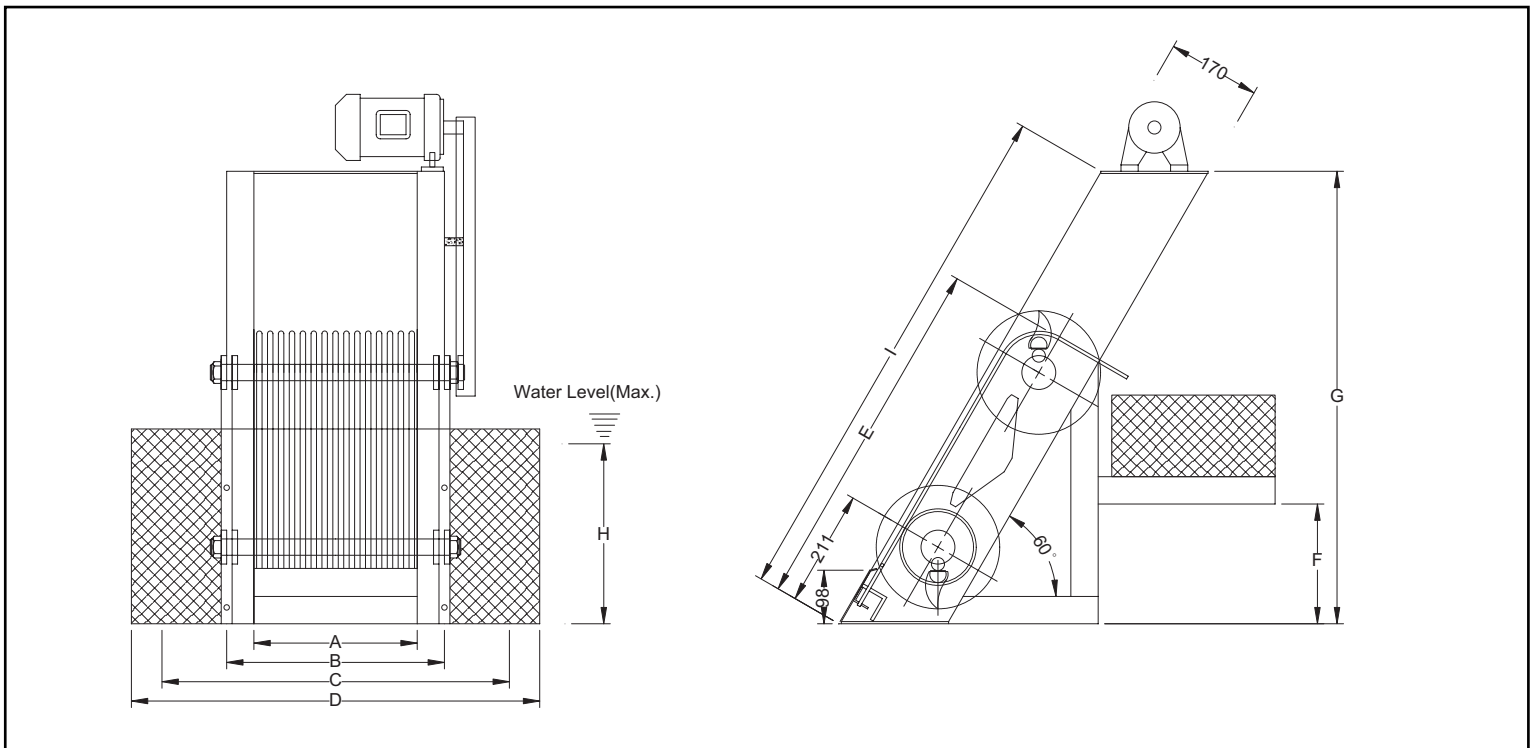
Applications

- Pulp and Paper Factory
- Drink and Food Industry
- Municipal Wastewater
- Dye Industry

Features

- › Frame body is made of stainless steel of SUS304.
- › Bar screen opening can be design by the customers on demand.
- › Equip with safety device for stop to prevent from overloading or abnormal situation.

Equipment Drawings and Section Views



Specifications

Model	Dimension (mm)								Capacity (m ³ /hr)		
	Screen Width	Body Width	Channel Width	Rubber Width	Screen Length	Channel Depth	Body Height	Water Level	Screen Opening (mm)		
	A	B	C	D	E	F	G	H	5	10	12
YF-600F	200	300	500	650	600	350	693	300	32	40	43
	300	400	600	750					47	59	62
	400	500	700	850					63	78	84
	500	600	800	950					78	98	103
	600	700	900	1050					93	116	123
YF-800F	200	300	500	650	800	500	866	450	56	68	75
	300	400	600	750					83	103	109
	400	500	700	850					110	137	147
	500	600	800	950					136	171	182
	600	700	900	1050					163	202	215
YF-1000F	200	300	500	650	1000	650	1040	600	80	98	107
	300	400	600	750					119	147	156
	400	500	700	850					157	196	210
	500	600	800	950					195	245	259
	600	700	900	1050					233	289	308
YF-1200F	200	300	500	650	1200	800	1212	750	104	127	139
	300	400	600	750					154	191	203
	400	500	700	850					204	255	273
	500	600	800	950					254	318	336
	600	700	900	1050					303	376	400

Auto Bar Screen (Chain Type)

